

This model is equipped with a alpha-numeric keypad and a graphical display. It is standard equipped with integrated barcode laser scanner, memory, a real-time clock and supplied with a rechargeable battery.

Product Features

Keypad with cellphone look and feel

Less instructions required

LCD display

Clear overview

Small size and light weight

Easy to carry

Flash ROM and RAM memory

Provides program and data storage

IrDA interface

Optical data transmission to cradle

Cabled

Wireless

Stationary

OEM

OPTICON
always scanning for new ID's

Specifications

OPL 9728 Barcode data collector with keypad and IrDA interface

Electrical specifications

Main battery pack: Li-Ion rechargeable 3.7 V nom. 600 mAh
Main battery pack operating time: When making every 5 seconds 1 scan with Backlight OFF, 1 sec laserbeam on and 0.2 sec. green LED on and 0.2 sec. buzzer on, operating time is: approx. 45 hours
Main battery condition: Different operation conditions affect the operating time
Backup battery: Lithium rechargeable 3.5 mAh
Backup battery operating time: > 1 week backup
Battery management: When battery is low the data collector switches off automatically.
Charging method: The main battery in data collector will be charged through the cradle. The backup battery will be charged by the main battery.

Optical specifications

Light source: 650 nm visible laser diode
Scan method: vibrating mirror
Scan rate: 100 scans/sec
Decode rate: 100 decodes/sec
Reading angle: effective 44°
Reading pitch angle: -25 to 0°, 0 to +25°
Reading skew angle: -50 to -8°, +8 to +50°
Reading tilt angle: -20 to 0°, 0 to +20°
Curvature: R>15 mm (EAN8), R>20 mm (EAN13)
Min. resolution at PCS 0.9: 0.15 mm / 6 mil
Min. PCS value: 0.45
Depth of field: at PCS 0.9, UPC
60 - 300 mm / 2.36 - 11.81 in (res. 1.0 mm / 39 mil),
35 - 210 mm / 1.38 - 8.27 in (res. 0.5 mm / 20 mil),
35 - 120 mm / 1.38 - 4.72 in (res. 0.25 mm / 10 mil),
35 - 70 mm / 1.38 - 2.76 in (res. 0.15 mm / 6 mil)

Communication specifications

Transmission speed IrDA: baudrate: 2.4 - 115.2 kbps

Identification

Supported barcode symbologies (1D): JAN/UPC/EAN (WPC) incl. add on, Chinese Post, Codabar/NW-7, Code 11, Code 39, Code 93, Code 128, IATA, Industrial 2of5, Interleaved 2of5, ISBN-ISSN, Korean Postal Authority code, Matrix 2of5, MSI/Plessey-UK/Plessey, RSS, S-Code, Telepen, Tri-Optic, Composite codes
Supported 2D code symbologies: MicroPDF417, PDF417 (if supported in application)

Functionality

Trigger mode: manual
Memory FlashROM: 512 kB (O/S and program)
Memory RAM: 512 kB (data storage), optional 1 MB
Microprocessor: 16-bit
Real time clock: Quartz RTC, time and date programmable, leap year handling, (accuracy +/- 60 sec./month)
Display: 112x64 Pixels graphic LCD
Character fonts: min. 4 lines x 14 characters, max. 10 lines x 18 characters
Keyboard: 18 keys total, 2 function keys, 1 scan key
Keyboard mode: Alphanumeric
Programming: Functionality is provided by user application.

Environmental specifications

Temperature in operation: -5 to 40 °C / 23 to 104 °F
Temperature in storage: -20 to 60 °C / -4 to 140 °F
Humidity in operation: 20 - 80 % (non-condensing)
Humidity in storage: 20 - 90 % (non-condensing)
Ambient fluorescent light immunity: 3,000 lx max
Ambient white light immunity: 3,000 lx max
Ambient direct sun light immunity: 50,000 lx max
Shock drop test: 1.5 m / 5 ft drop onto concrete surface
Shock vibration test: 12 - 100 Hz with 2G for 1 hour
Protection (dust and moisture, IEC529): IP 54

Physical specifications

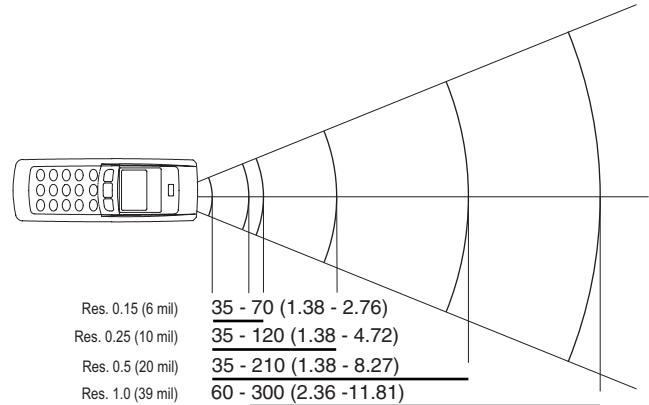
Dimensions: 129 x 44 x 23 mm / 5.08 x 1.73 x 0.91 in
Case material: ABS
Weight body: ca. 105 g / 3.7 oz

Regulatory

Laser safety class: JIS-C-6802 Class 1, IEC 60825-1
Product compliance: CE, FCC, VCCI, RoHS

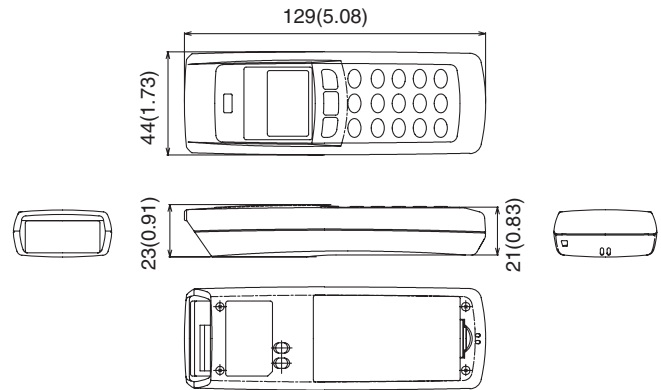
Depth of field

Unit: mm (in)



Dimensions

unit: mm (in)



Enclosed items

Backup battery, Handstrap

Accessories

Sold separately
CRD 9722: Single charging cradle
CRD 9723 RU: Single serial communication cradle
CRD 9723 RU1: Multibay cradle, 1x communication, 5x charging
CRD 9723 RU5: Multibay cradle, 5x communication, 5x charging
CRD 9726: Modem cradle
CRD 9727: GSM cradle